

XE22-120-TX



Outdoor 2-Port EPoC TX Adapter

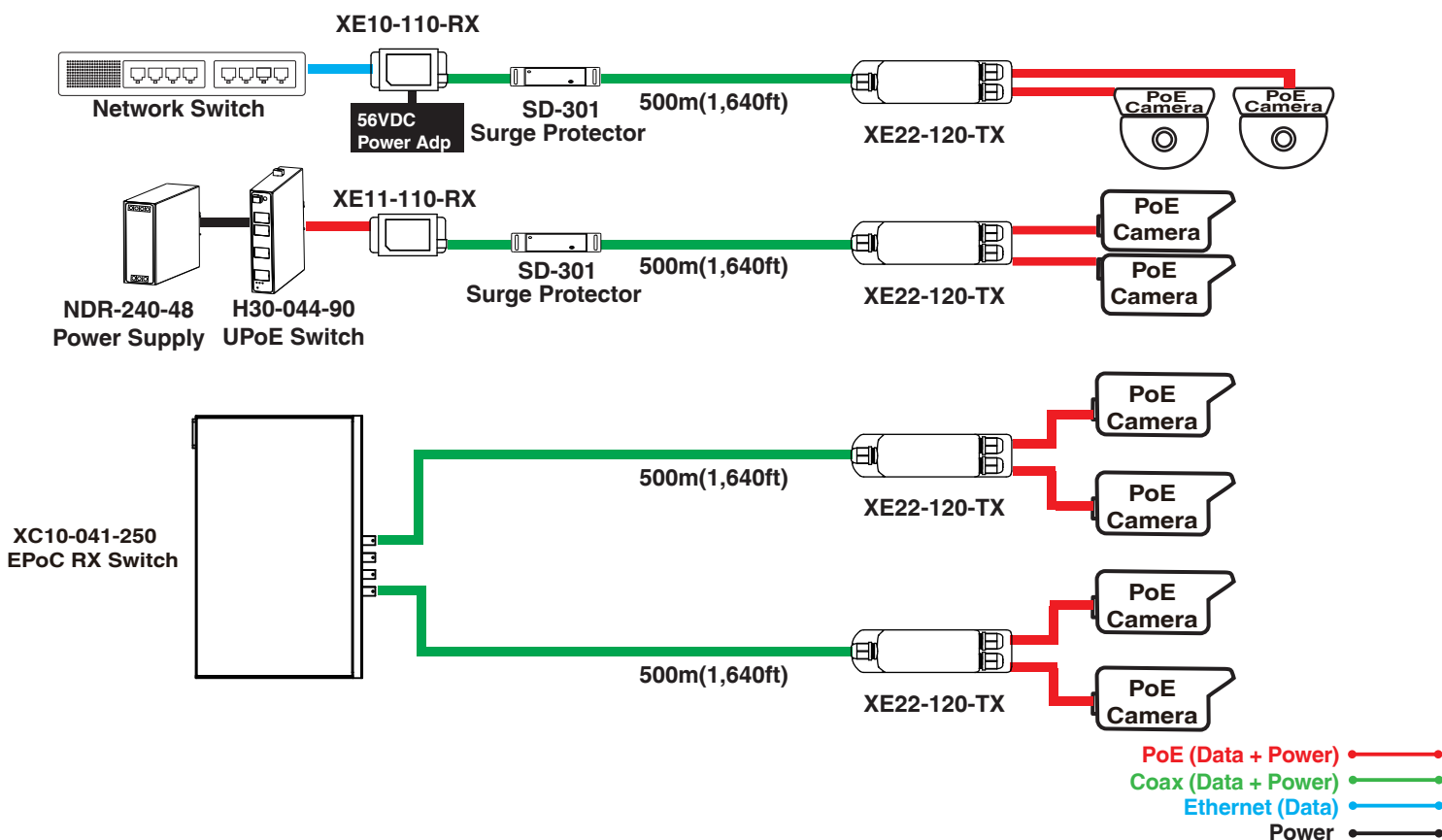
The XE22-120-TX, a 1-to-2 EPoC (Ethernet & Power over Coax) transmitter(TX) adapter equipped with 1 BNC port & 2-port PoE switch, is designed to connect 2 of remote PoE IP cameras over single coax without requiring extra power supply. This cutting-edge model delivers data and power at long range up to 500m with 25W PoE budget for 2 of PoE IP cameras remotely. Besides long-range PoE solution, XE22-120-TX is often used to upgrade legacy of CCTV to PoE IP surveillance without changing existing coaxial cable infrastructure.

Outdoor model supports built-in 6KV EPoC surge protection, IP67 rated, IK10 vandal proof, and operates under harsh weather conditions between -30°C ~ 60°C (-22°F ~ 140°F).

Features

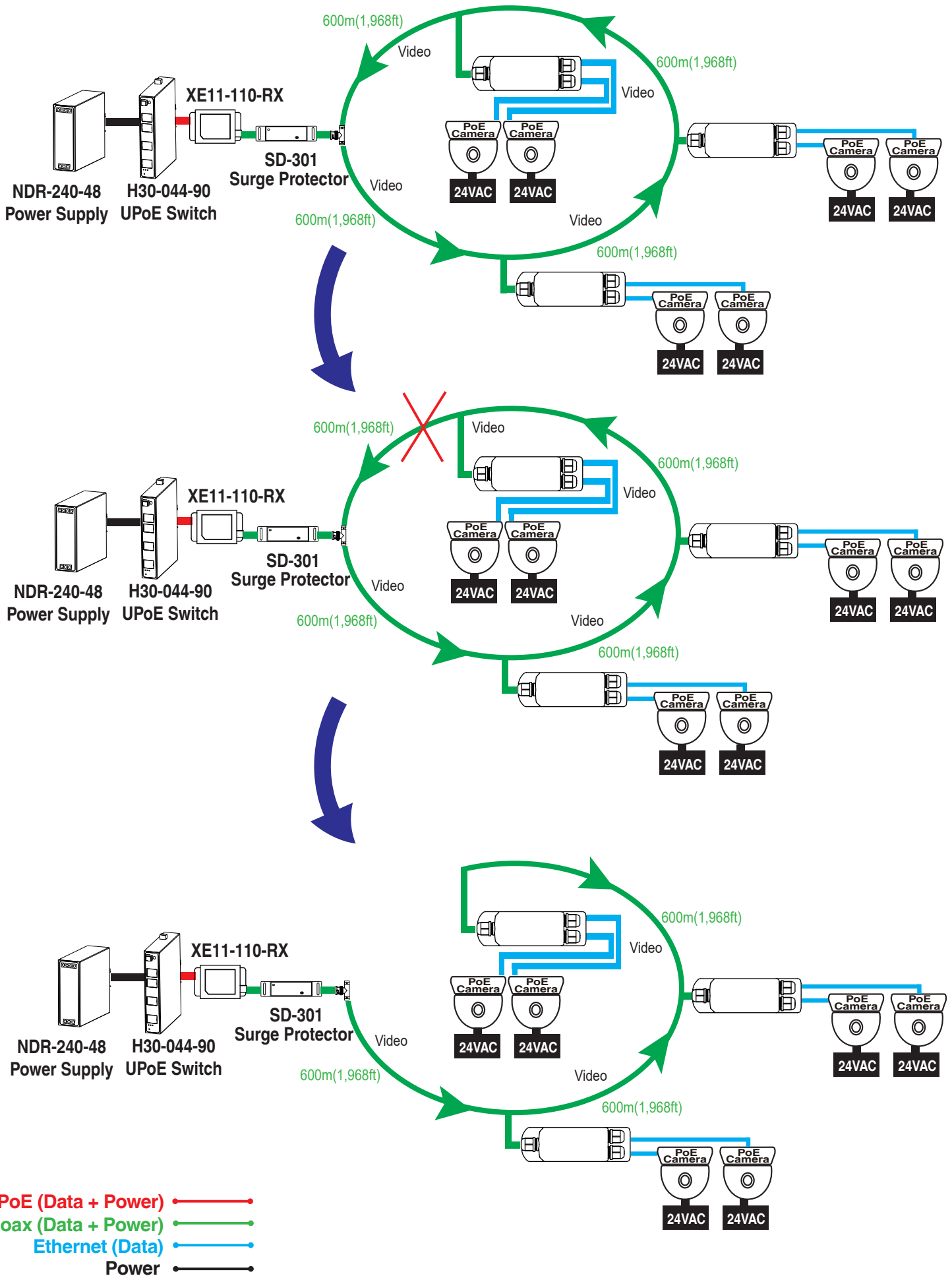
- One BNC coax port & two PoE LAN ports
- IP67 rated, IK10 vandal proof
- Built-in 6KV EPoC surge protection
- Without requiring extra power adapter beside remote PoE IP cameras
- Delivers up to 25 watts@500m(1,640ft) shared between two PoE IP cameras
- PoE Output On/Off control
- Re-uses existing coax for 2 of PoE IP cameras

Applications



Applications

EoC Video Failover



Specifications

Interface / Distance

Coaxial BNC	75 ohm x1
10/100 Mbps Ethernet	PoE PSE RJ45 x2
Transmission mode	Transmitter TX mode
MAX.(Power+Data) Distance	100Mbps, 25W@500m(1,640ft) shared between two PoE IP cameras 100Mbps@2,400m(7,874ft) Data only
Cable Type	75 ohm RG59/RG6/RG11 Coax
Bandwidth	600 Mbps

Power Specifications

Power Input	EPoC@50~57VDC
Power Output	Passive PoE (Compliant IEEE 802.3af PoE)
Unit Power Consumption	3 watts
EPoC Surge Protection	6KV

Physical Specifications

Weather Rating	IP67
Vandal Proof	IK10
Dimensions (LxWxH)	167.5 x 72.8 x 39.8 mm (6.59x2.87x1.57")
Weight	0.36 kg (0.79 lb)
Connectors	M25 x1(BNC), M25 x2(RJ45), PoE On/Off Switch x1
Mounting Type	Wall mount

Environmental Specifications

Operating Temperature	-30°C ~ 60°C (-22°F ~ 140°F)
Storage Temperature	-40°C ~ 85°C (-40°F ~ 185°F)
Relative Humidity	5% ~ 95% non-condensing

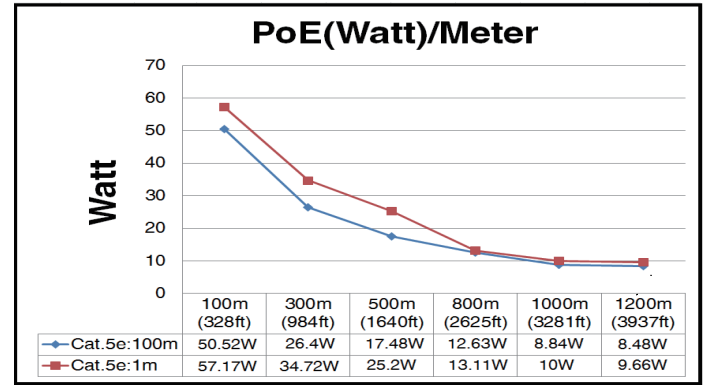
Certifications

EMC	CE, FCC, VCCI, C-Tick
-----	-----------------------

LEDs

LAN	Ethernet status
PWR	Power status
BNC	EPoC RX device connect status
POE	PoE status

Power / Distance Chart



Related Products

EPoC RX Switch



XC10-041-250

- Four BNC coax ports & one Gigabit LAN port
- 6KV Surge Protection for coax port
- 250W Power Supply, 100~240VAC input

EPoC (RX)



- XE10-110-RX**
- XE10-110 EPoC adapter(RX)
 - 65W@56VDC power adapter



- XE11-110-RX**
- XE11-110 PoE EPoC adapter(RX)
 - Supports 30W/60W/95W PoE Input

Accessories



- BNC-YC**
- Y-Type BNC cable